



PROGRES GRYPHAX[®] SUBRA



Technical data

KEY FACTS

- Full HD record at video speed
- USB 3.0 interface
- 5.5 x 5.5 μm pixel size
- 2/3" sensor
- 12 bit

SYSTEM REQUIREMENTS

Data interface	USB 3.0, no extra power supply needed
Software (included in the package)	PROGRES GRYPHAX [®]
Export to external software	via analyze function of PROGRES GRYPHAX [®]

IMAGE SENSOR

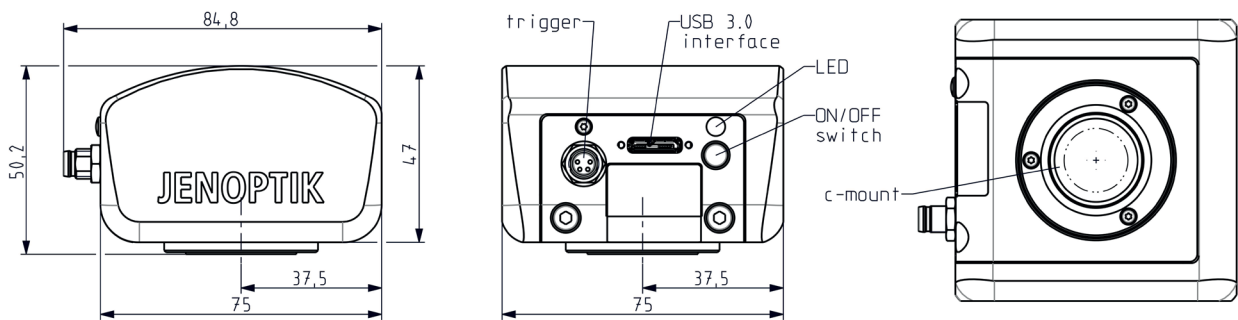
Sensor type sensor square diagonal	CMOS 2/3" 12.75 mm
Pixel dimensions	5.5 x 5.5 μm
Color or monochrome	Color
Transfer method shutter mode	Progressive scan Global shutter
Full sensor resolution	2048 x 1084 pixel

CAMERA

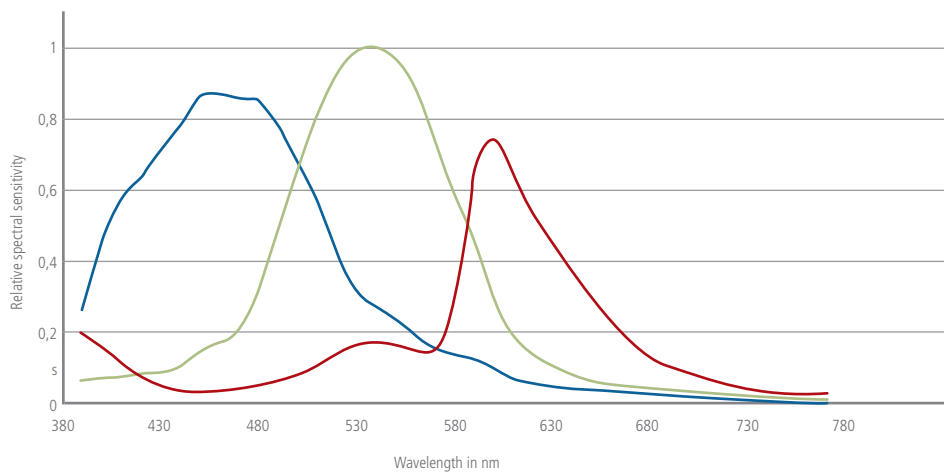
Camera resolution in LIVE mode	Full HD 1920 x 1080 pixel up to 2048 x 1084 pixel (30 fps)
Camera resolution in RECORD mode	Full HD 1920 x 1080 pixel up to 2048 x 1084 pixel (30 fps)
Exposure time min. - max.	52 μs - 2 sec.
Gain	max. 8
A/D conversion	12 bit (4096 grey values)
Absolute sensitivity threshold*	13.5 e ⁻
Saturation capacity*	8000 e ⁻
Dynamic range*	56 dB

*based on EMVA 1288 standard compliance guidelines

Filter	IR cut I optional clear-glass
Hardware trigger	OUT
Power switch	Yes
Optical interface	C-mount
Power consumption	appr. 3 W
Dimensions	85 mm x 75 mm x 50 mm
Weight	appr. 400 g
Storage options	-20°C up to +70°C
Operating temperature	+10°C up to +35°C non condensing
Warranty	24 months
CE conformity / RoHS conformity	Yes



MEASURED RELATIVE SPECTRAL SENSITIVITY*:



PROGRES GRYPHAX SUBRA IS AN ESSENTIAL SOLUTION FOR:

- Cytology
- Hematology
- Biology
- Geology
- Metallography
- Mineralogy

*based on EMVA 1288 standard compliance guidelines